



**SPACE 500 (A)**

**SPACE 700 (B)**



**TECHNICAL SPECIFICATIONS**

**500      700**

Power Max. (W)	170	320
Power Supply (V)	230	
Air Flow (m <sup>3</sup> /h)	500	700
Noise (db)	26	36
Input / Output Filter	M5, G4 y F7	
Thermal Efficiency (%)	95	
Automatic By Pass (%)	100	
Digital Panel	SI	
Sensors	Carbon Dioxide	
Energy Classification	A+	

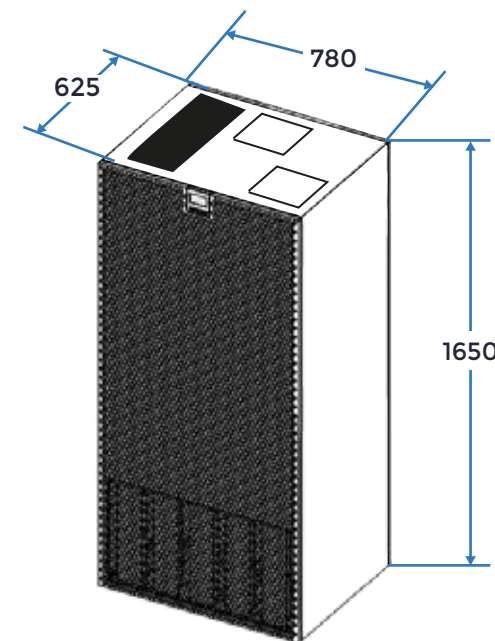
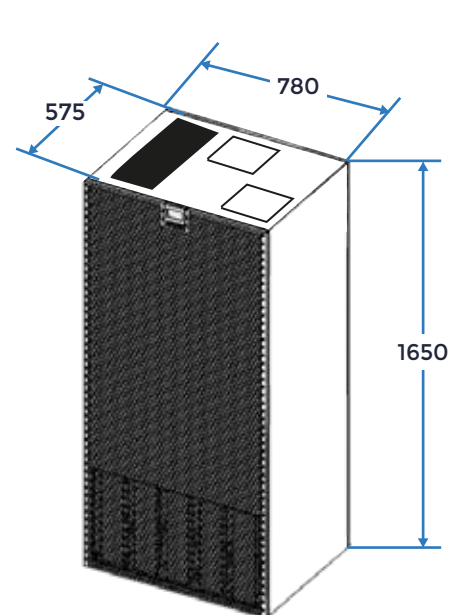
**Double Flow Heat Recovery Ventilation**

Installation: Vertical

**DIMENSIONS**

**A      WEIGHT: 170Kg**

**B      WEIGHT: 170Kg**

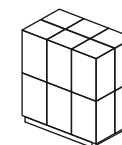


MEASUREMENT UNITS: mm

**PACKAGING FEATURES**

**Box Sizes**

**Palet Sizes**



(A) 600x800x1700mm

(A) 1

(B) 650x800x1700mm

(B) 1

