

**SENSE 200**  
VM0200-SC/E

**SENSE 300**  
VM0300-SC/E



## TECHNICAL SPECIFICATIONS

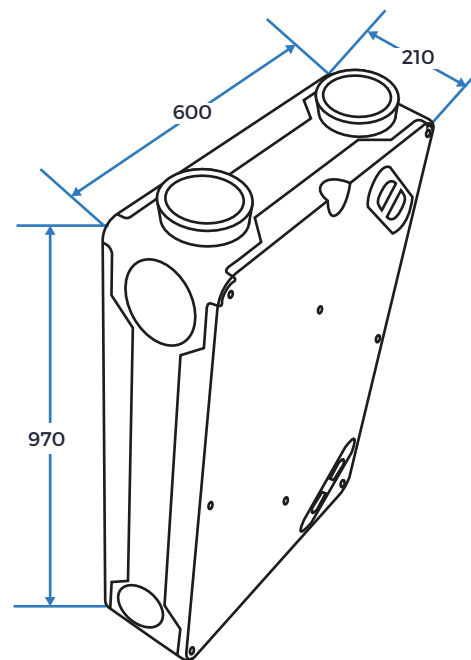
	SENSE 200	SENSE 300
Power (Min-Max) (W)	60	180
Power Supply (V)	230	
Air Flow (m <sup>3</sup> /h)	200	300
Noise (db)	26	36
Input / Output Filter	F7	
Max. Thermal Efficiency (%)	95	
Automatic By Pass (%)	100	
Remote Control	YES	
Sensors	T°, RH, COV, CO2	
Energy Classification	A	
Weight (kg)	23	36

**Double Flow Heat Recovery Ventilation**

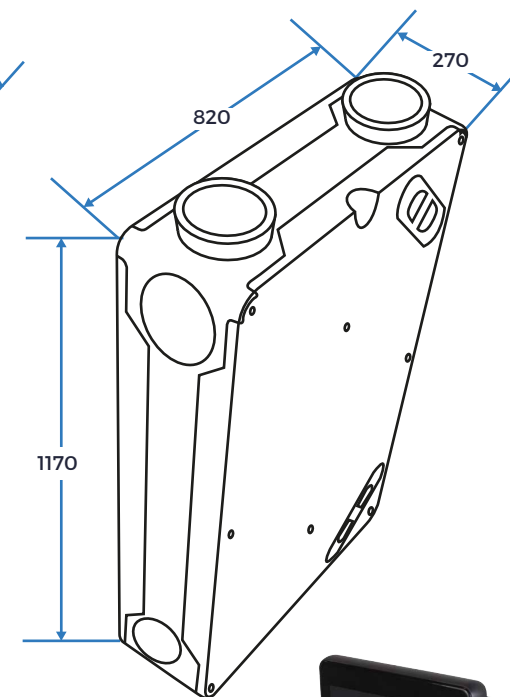
**Installation:** Horizontal or Vertical

## DIMENSIONS

**SENSE 200**



**SENSE 300**



MEASUREMENT UNITS: mm



Control all the information from digital display (included)

## PACKAGING FEATURES

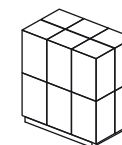
**Box Sizes**



(A) 650x1000x220mm

(B) 850x1200x300mm

**Palet Sizes**



(A) 9

(B) 7

